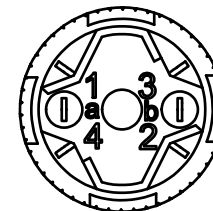
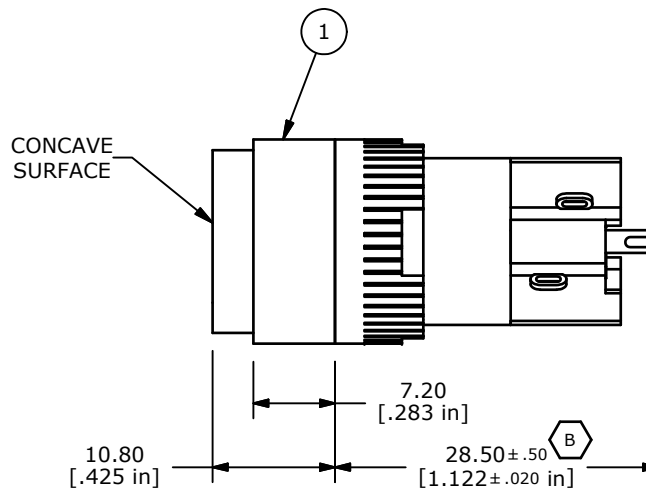
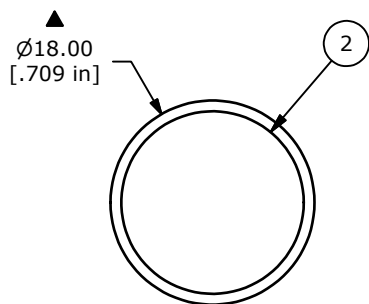


PANEL MOUNTING



- NOTE:
1. ALL DIMENSIONS IN MM [INCH]
 2. GENERAL TOLERANCE: X.X=±0.4
X.XX=±0.25
 3. TERMINAL NUMBERS FOR REF ONLY
 4. MECHANICAL LIFE: 100,000 CYCLES
 5. ELECTRICAL LIFE: 50,000 CYCLES
 6. INSULATION RESISTANCE: 1,000 MILLI-OHM MIN.
 7. OPERATING TEMPERATURE: -25°C to 55°C
 - ▲8. LAMP VOLTAGE: 110VAC
 9. ▲ DENOTES CRITICAL PARAMETER.
 - ▲10. CONTACT RATING: 5A@250VAC, 8A@125VAC, 6A@24VDC
 11. ACTUATION FORCE: 300g/POLE
 12. 2002/95/EC (ROHS) COMPLIANT

PARTS LIST			
ITEM	QTY	PART NUMBER	DESCRIPTION
1	1	F040006	D16EER11
2	2	F050102	50-001-02 TRANSPARENT GREEN LENS
3	1	F050411	50-004-11 LAMP 110VAC GREEN NEON



TITLE D16EER11FGRNGRN

B	19772	DRAWING UPDATE / CLEAN-UP	3/18/11	BGL
REV	PCR NO	DESCRIPTION	DATE	BY

SCALE	DATE	DR	DWG	REV
1.5:1	3/18/2011	BGL	XF0156P	B

THE INFORMATION CONTAINED IN THIS DOCUMENT IS PROPRIETARY TO E-SWITCH AND IS NOT TO BE COPIED OR TRANSFERRED